



## Version 8.5.2

# Quick Start Guide

*This guide is intended to get you started with Lotus Enterprise Integrator for Domino.*



### Product overview

Lotus Enterprise Integrator® for Domino® (LEI) is an enterprise integration tool that moves data between disparate external data sources. It is designed to enable data access across multiple platforms and database types.

### 1 Step 1: Access your software



Product software can be accessed on CD, or online from Passport Advantage®. If you download your product from Passport Advantage, follow the instructions in the download document available from the Support Web page at <http://www.ibm.com/software/lotus/support/integration/support.html>

This product offering includes:

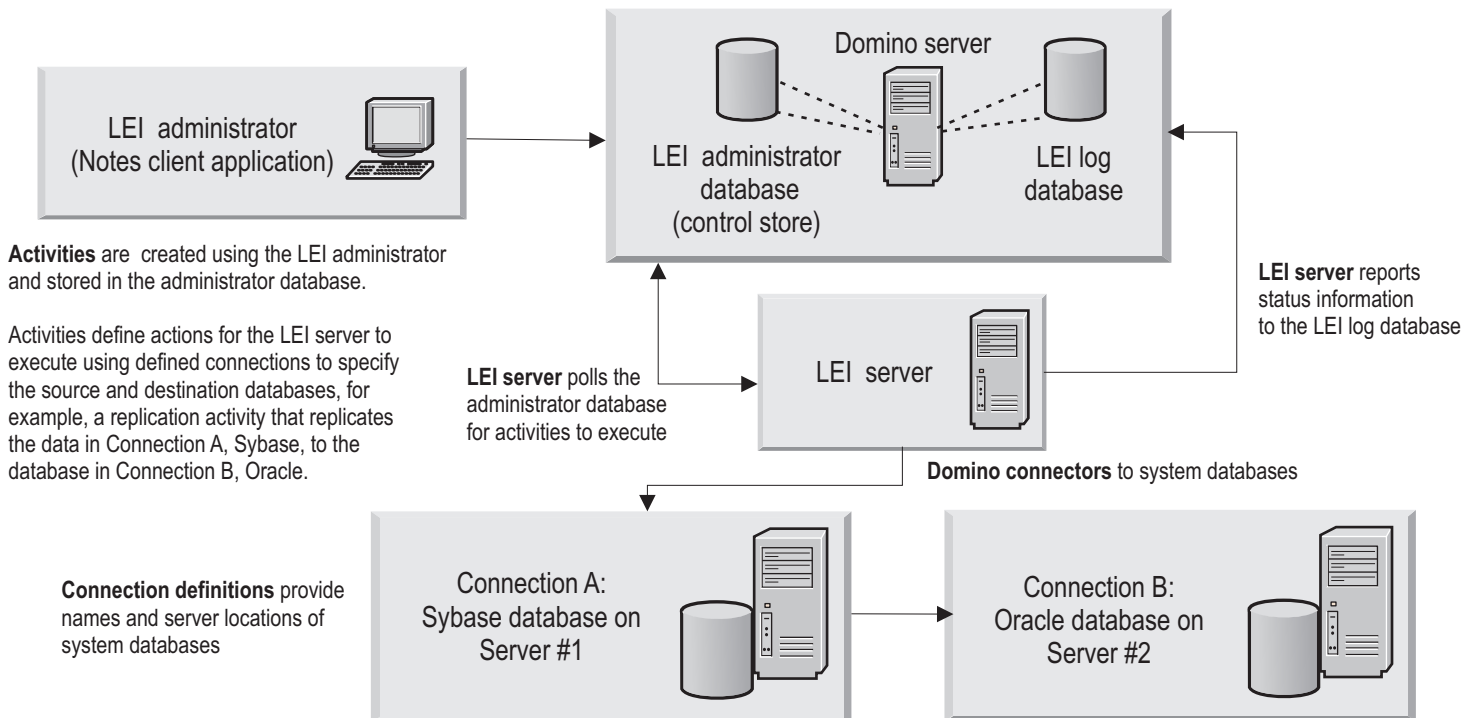
- Quick Start CD
- Lotus Enterprise Integrator for Domino applications and documentation

### 2 Step 2: Evaluate your hardware and system configuration



LEI system requirements are documented in the readme file in the LEI install media and at <http://www.ibm.com/developerworks/lotus/documentation/lei>.

### 3 Step 3: Review the system architecture



## 4 Step 4: Access your documentation



The following documentation is available on the product CD:

- *Lotus Enterprise Integrator for Domino Installation Guide*
- *Lotus Enterprise Integrator for Domino Activities and User Guide*
- readme.txt file (see the online LEI release notes for updates)

To access the complete LEI documentation set go to the Lotus® Enterprise Integrator documentation page at <http://www.ibm.com/developerworks/lotus/documentation/lei>.

## 5 Step 5: Install LEI



LEI is run on a server system, but it can be deployed from a Lotus Notes® client. The LEI administrator is used to administer the configuration and operational elements of the LEI system, including connectors, meta-connectors, and activities. The LEI server periodically polls the LEI administrator database for activities to execute. When it finds an activity that is scheduled to run, it executes that activity. An activity defines the actions that the LEI server will perform, such as data transfer or replication, file system commands, and so on.

The steps below provide an overview of the tasks required to install and set up LEI.

1. Ensure that Lotus Domino 8.5.2 is installed and running on your server and that Lotus Notes 8.5.2 is installed and running on your client.

Refer to the *Lotus Domino Administrator Help* for comprehensive information about the Domino server applications.

2. If Domino Enterprise Integration Services (DECS) is running, shut down its process.
3. Perform the prerequisite tasks described in the LEI installation guide (leiig.nsf).
4. The LEI application is supplied as a self-extracting executable. Run the operating system-specific installation executable to begin installing LEI.

## More information



For more information, see the following resources:

- Lotus Enterprise Integration offerings: <http://www.ibm.com/software/sw-lotus/products/product4.nsf/wdocs/leihomepage>
- IBM developerWorks® technical library: <http://www.ibm.com/developerworks/lotus/documentation>

